

# TP832 Dome Climber

## INSTRUCTIONS FOR ASSEMBLY MAINTENANCE AND USE



**Important!** These instructions must be followed for safe assembly and use. Please retain for future reference.

### **Warnings!**

ADULT ASSEMBLY REQUIRED. PRIOR TO ASSEMBLY THIS PACKAGE CONTAINS SMALL PARTS, WHICH ARE A CHOKING HAZARD AND MAY CONTAIN SHARP EDGES AND SHARP POINTS. KEEP AWAY FROM CHILDREN UNTIL ASSEMBLED. ASSEMBLY INSTRUCTIONS INCLUDED.

**WARNING:** THIS PRODUCT IS INTENDED FOR USE BY CHILDREN FROM AGED 3 TO 6 YEARS OLD. NOT SUITABLE FOR CHILDREN UNDER 36 MONTHS DUE TO LACK OF ABILITY TO OPERATE SAFELY.

**WARNING:** LIMITED TO A TOTAL WEIGHT OF 80KG/177LB AND NOT TO BE USED BY MORE THAN THREE CHILDREN AT A TIME.

ADULT SUPERVISION IS REQUIRED AT ALL TIMES TO MAKE SURE THAT THE CHILDREN PLAY SAFELY.

**WARNING:** FOR OUTDOOR FAMILY DOMESTIC USE ONLY.

REMOVE ALL PACKAGING BEFORE GIVING TO YOUR CHILDREN. PLEASE RETAIN ORIGINAL PACKAGING FOR FUTURE REFERENCE. SEE INSTRUCTION LEAFLET FOR ASSEMBLY DETAILS, SAFETY CHECKS AND MAINTENANCE INFORMATION.

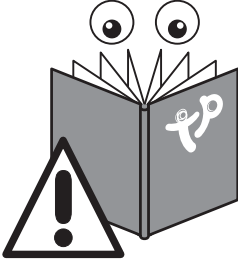
COLOUR, DESIGN AND DECORATION MAY VARY FROM ILLUSTRATIONS.

MADE IN ISRAEL

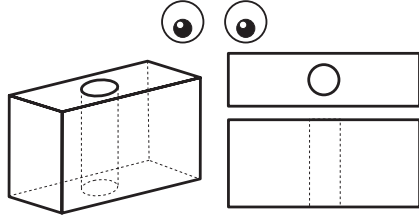
1. Adult assembly required. Prior to assembly this package contains small parts, which are a choking hazard and may contain sharp edges and sharp points. Keep away from children until assembled. Assembly instructions included.
2. The play equipment is designed for children of the ages of not less than 3 years and not greater than 6 years. Not suitable for children under 36 months due to lack of ability to operate safely.
3. Warning! Children must be supervised by an adult at ALL TIMES when using play equipment.
4. Make sure your child is dressed suitably to stop hazards happening while using the Dome Climber. Your child should not wear loose clothing such as ponchos or scarves and other loose-fitting clothing that is potentially hazardous while using equipment. Apparel should include well fitted shoes.
5. DO NOT attach additional items such as jump ropes, clotheslines, pet leashes or other items not designed for use with the playground equipment, as they may cause a strangulation hazard.
6. DO NOT walk close to, in front of, behind children playing.
7. DO NOT use this product in a manner other than intended.
8. DO NOT use this product when it is wet as it will become slippery and serious injury may result.
9. DO NOT allow objects to be placed under the product. Boxes, bicycles, trikes, toys or any other hard object on the ground under the product will increase the risk of injury to children dropping to the ground.
10. **PLACEMENT:** Place this product on LEVEL GROUND not less than 2 m ( 6.5 feet) from any structures or obstacles such as fences, overhanging branches, laundry or electrical lines, garages, sheds or houses. Take into consideration the direction of the sun when using the swing. Avoid over exposure to direct sun.
11. DO NOT install home playground equipment over concrete, asphalt, packed earth, grass, carpet or any hard surface. A fall onto a hard surface can result in serious injury to the equipment user.
12. Regular safety checks should be carried out on the product to ensure integrity of the assembly, especially loose or dislocated components. Inspecting the product at regular time intervals can prevent accidents.
13. For outdoor family domestic use only.
14. This product is to be anchored and anchors are not included in the package, however for additional stability it is possible to purchase ground anchors/stakes TP339 Ground Stakes online at [tptoys.com](http://tptoys.com)

# Instruction Guide

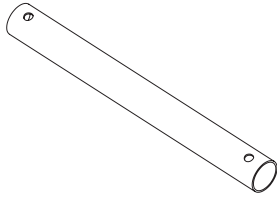
Read Instructions Before Starting



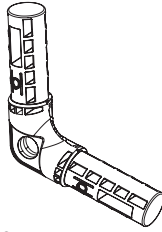
Hidden Lines



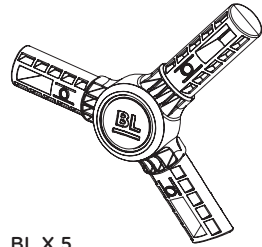
# Contents



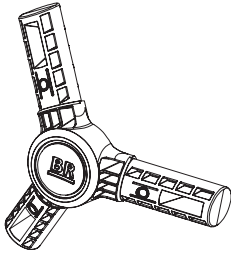
TUBE X 50



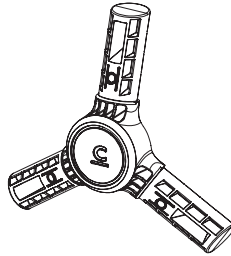
A X 10



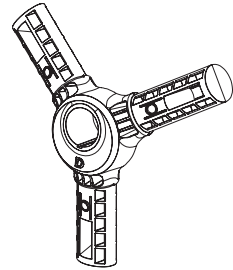
BL X 5



BR X 5



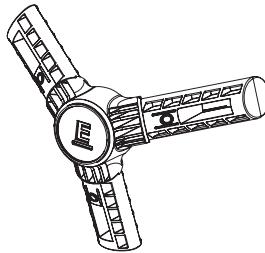
C X 5



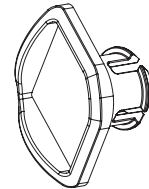
D1 X 5



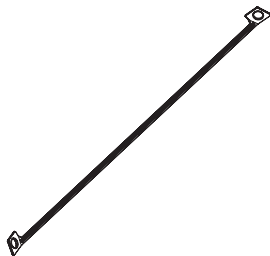
Db X 5



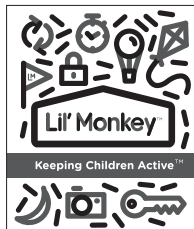
E X 5



PIN X 10



WIRE X 5



MARKER X 1

# Assembly Instruction

1.

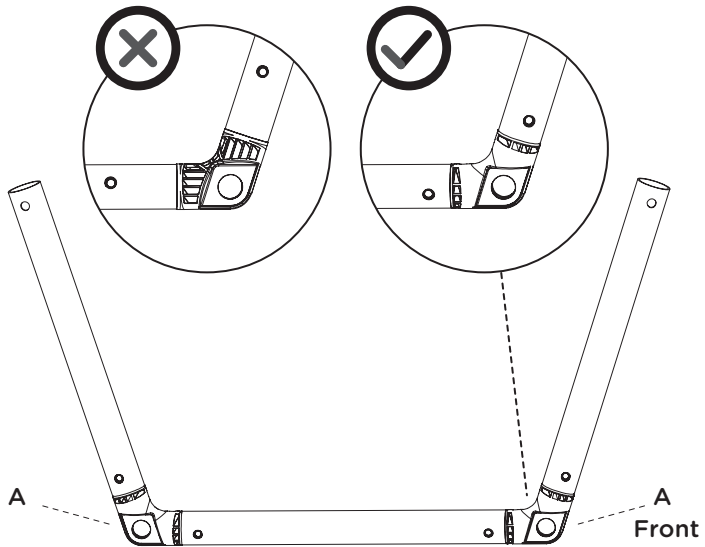


Tube

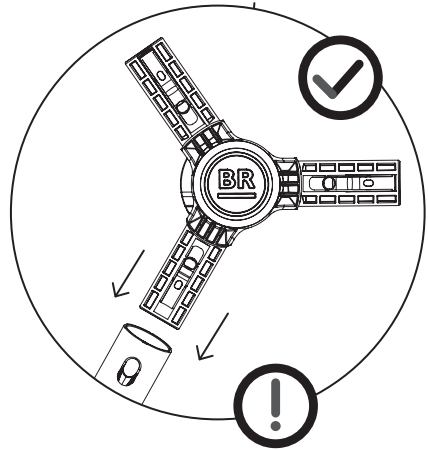
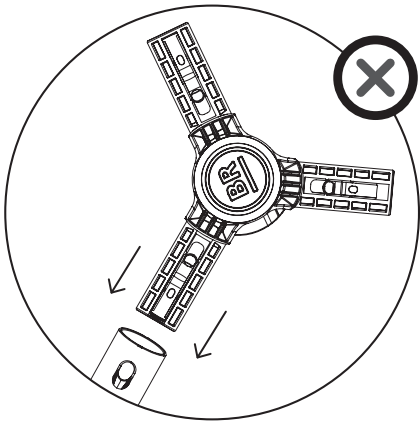
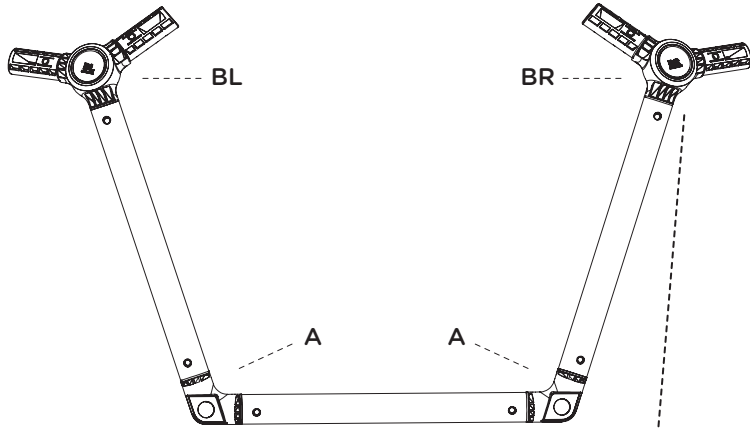
2.



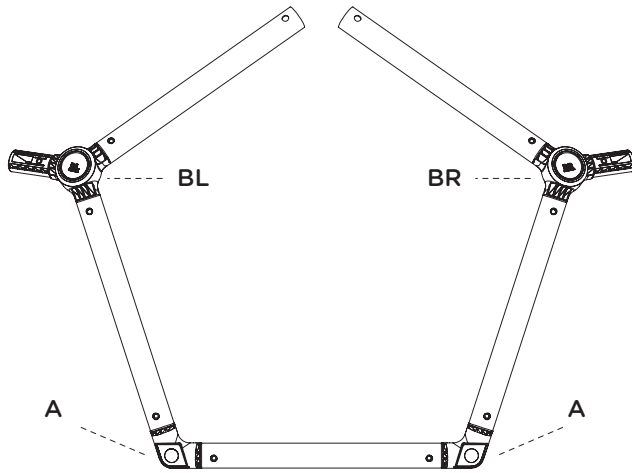
3.



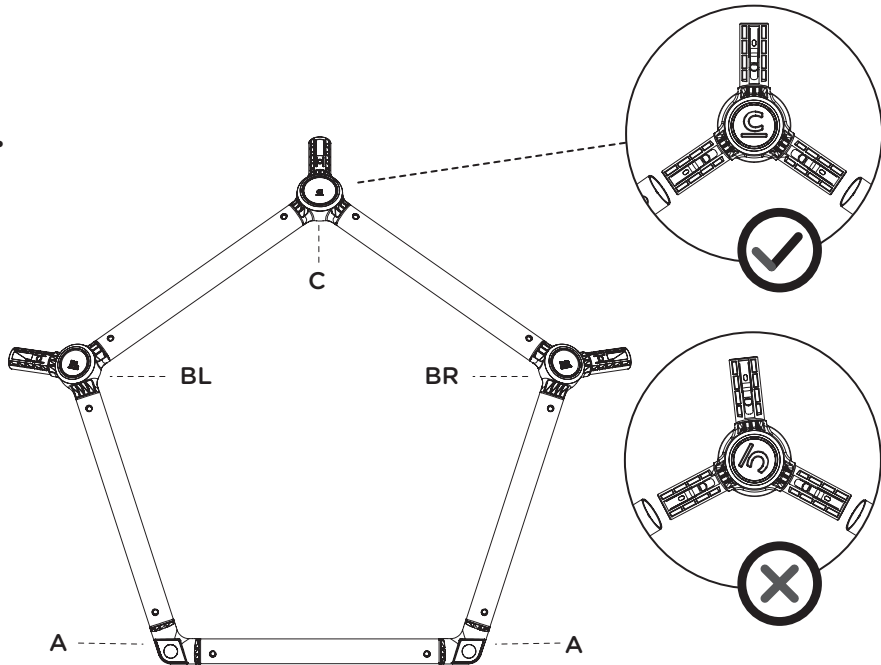
4.

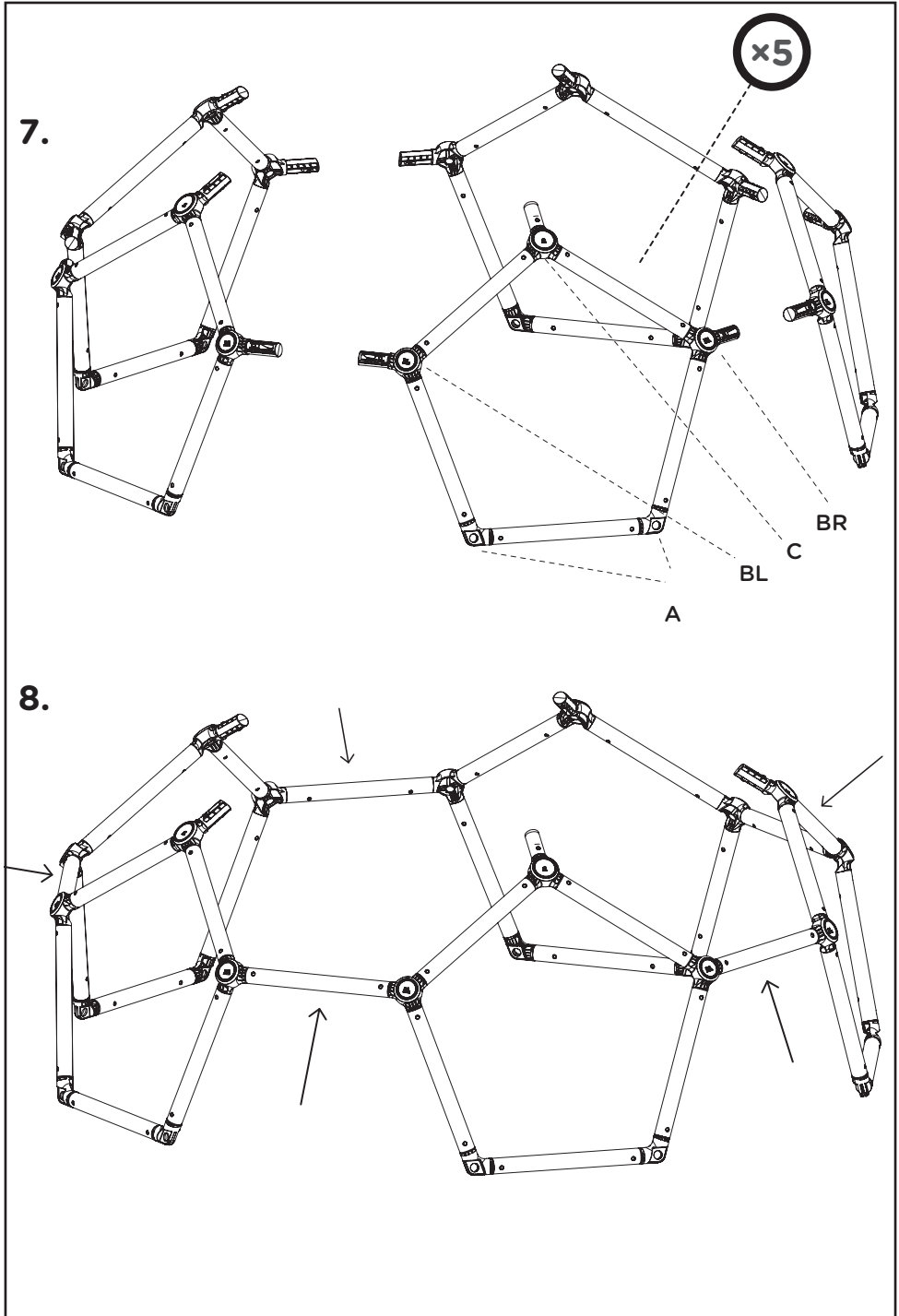


5.



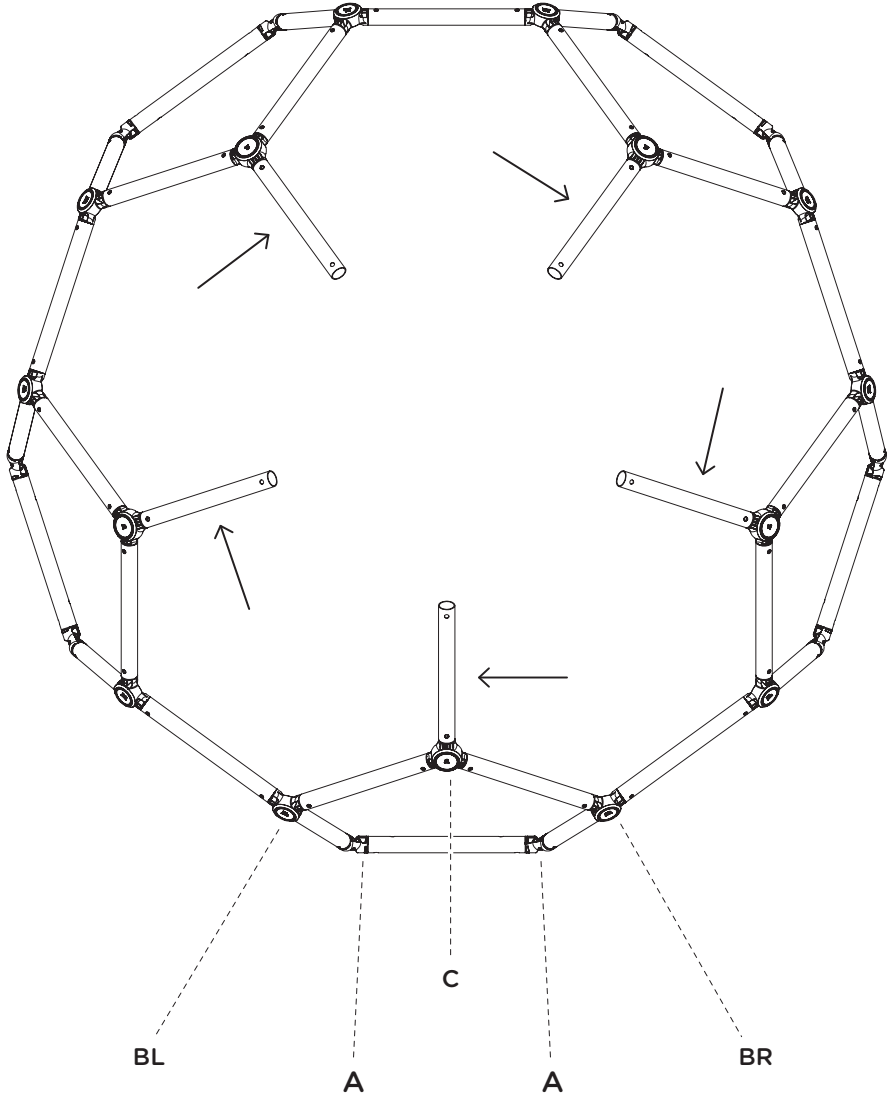
6.



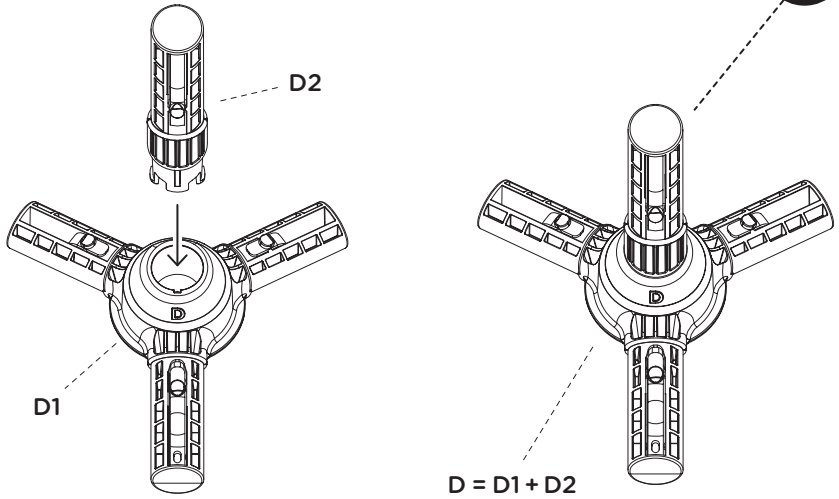




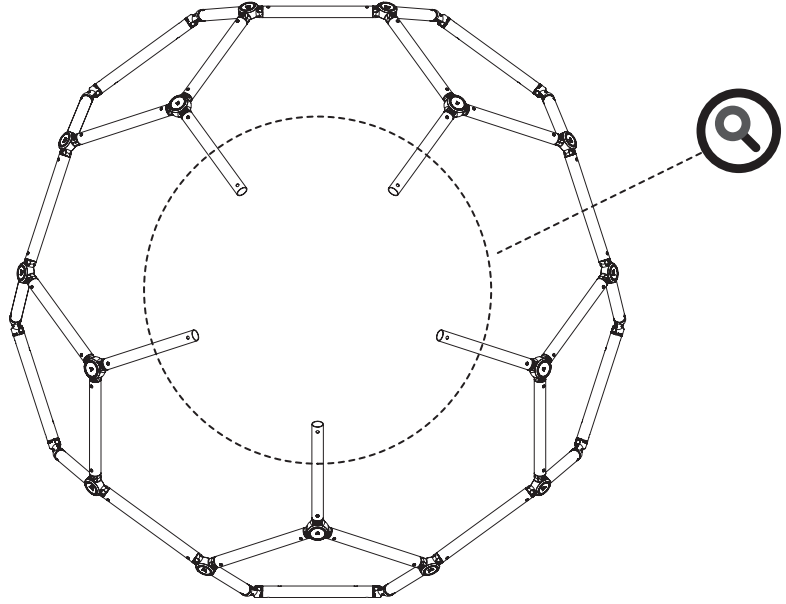
9.

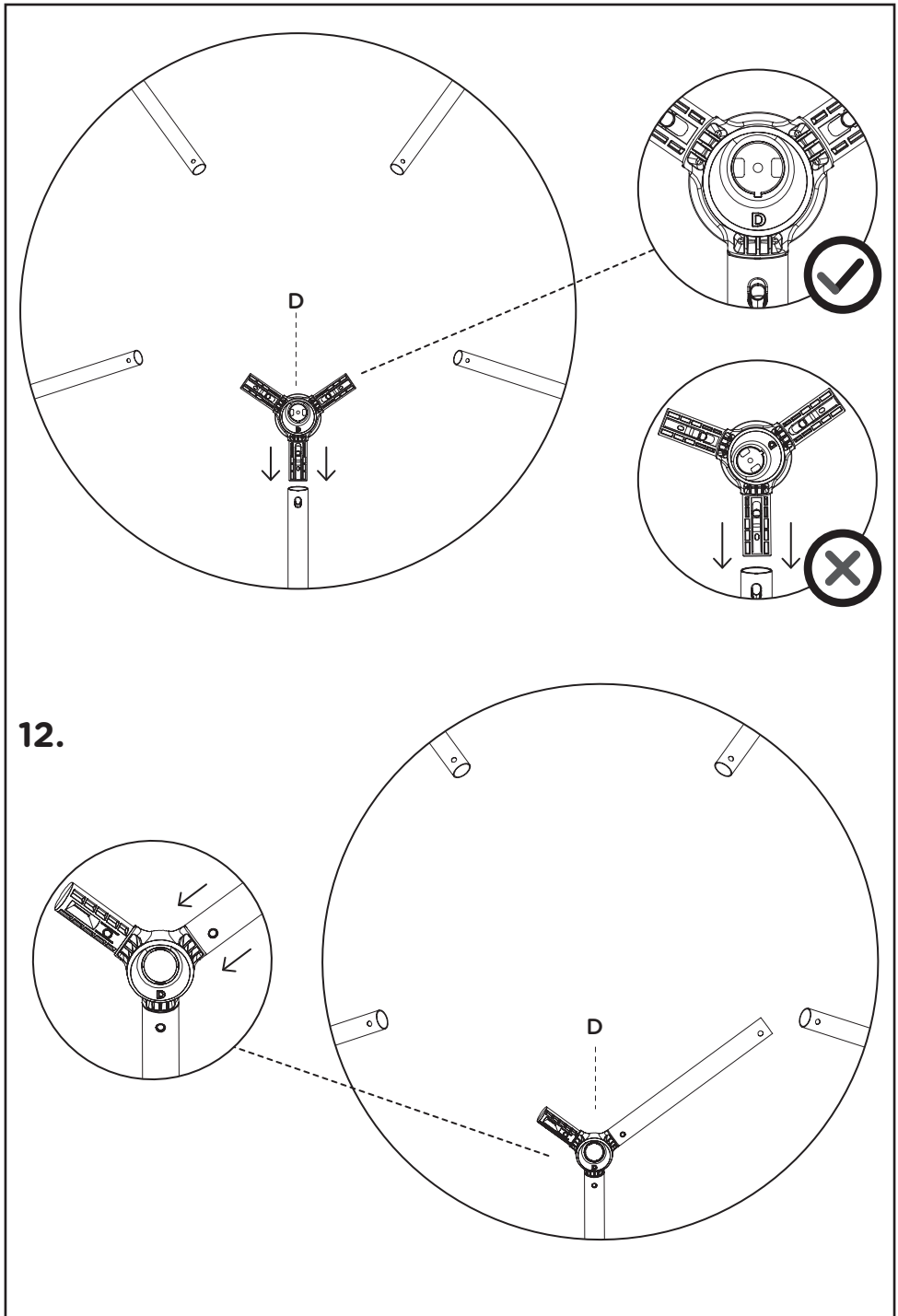


10.



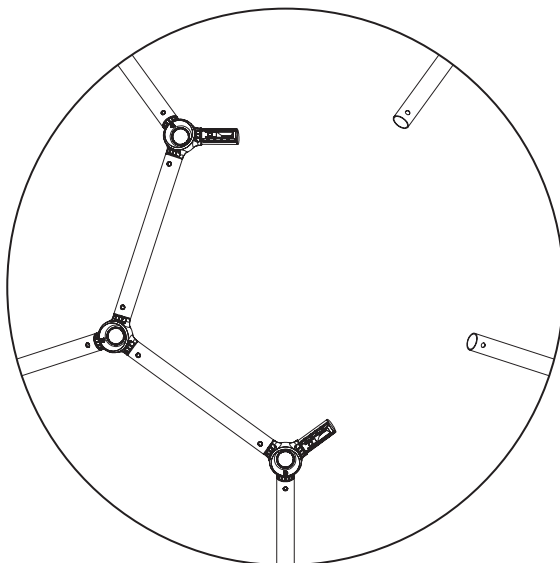
11.



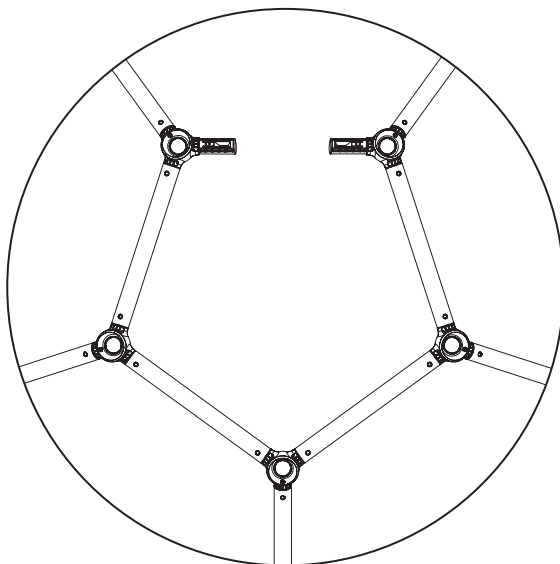


12.

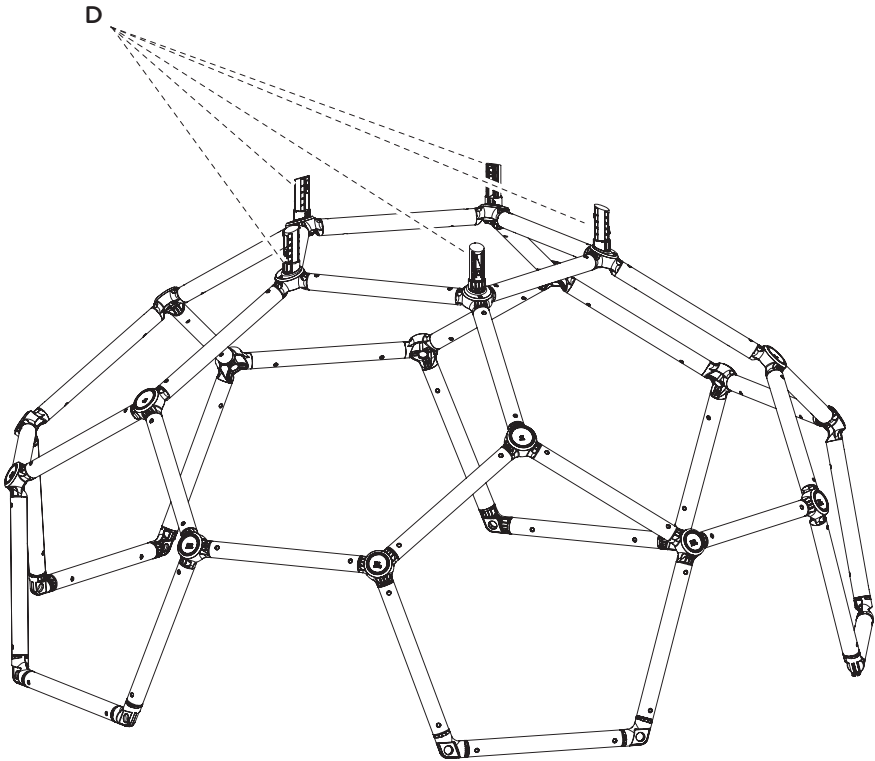
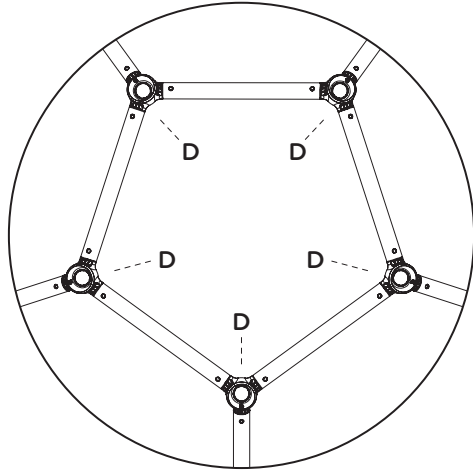
13.



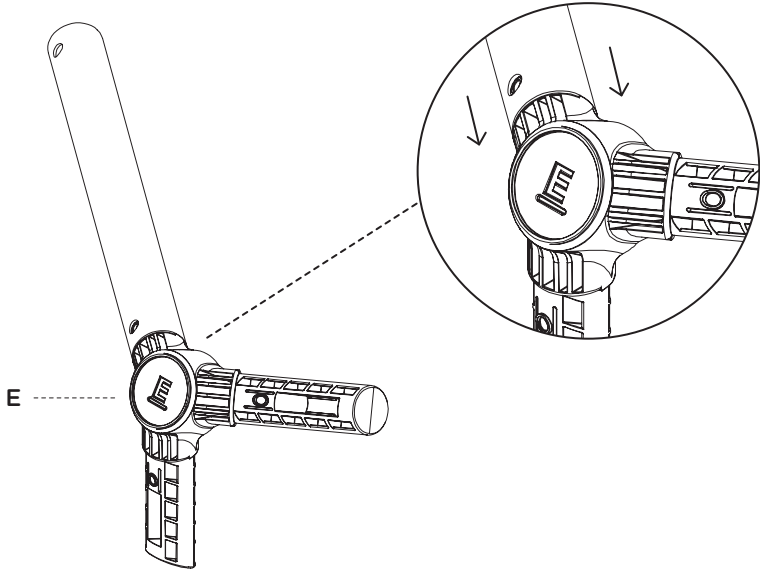
14.



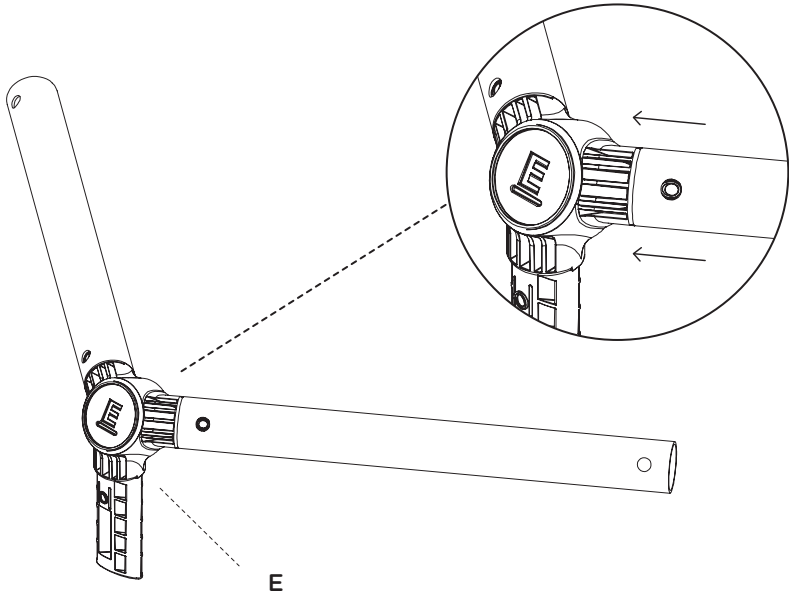
15.



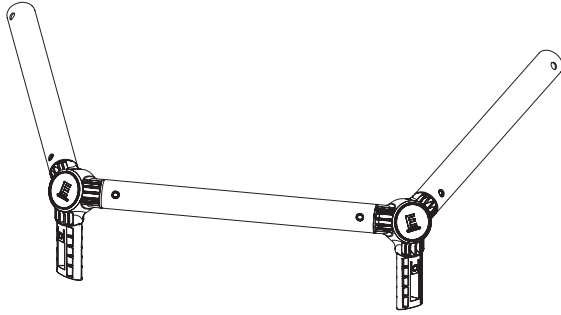
16.



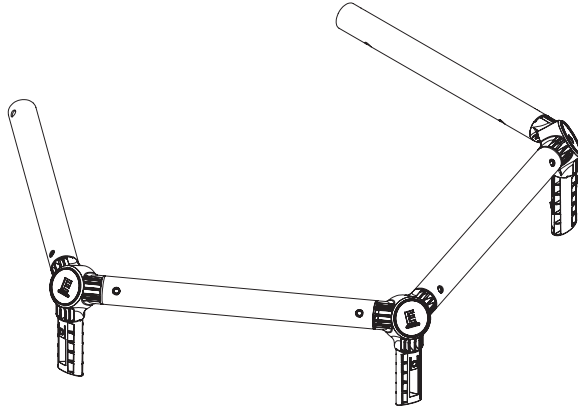
17.



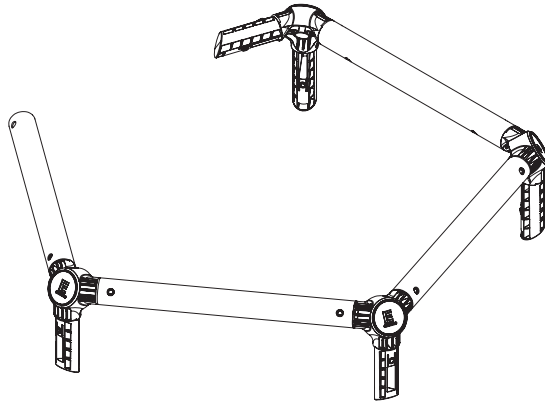
18.



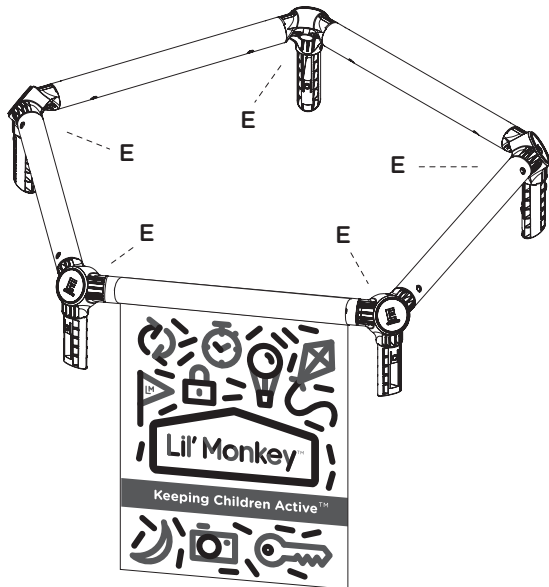
19.



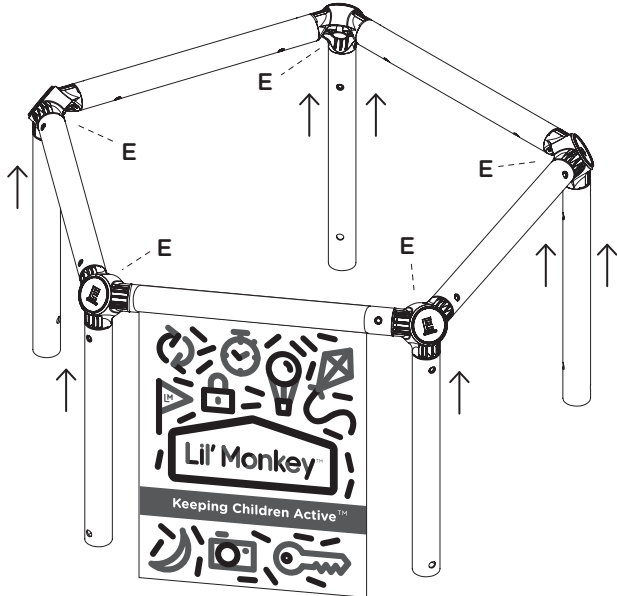
20.



21.

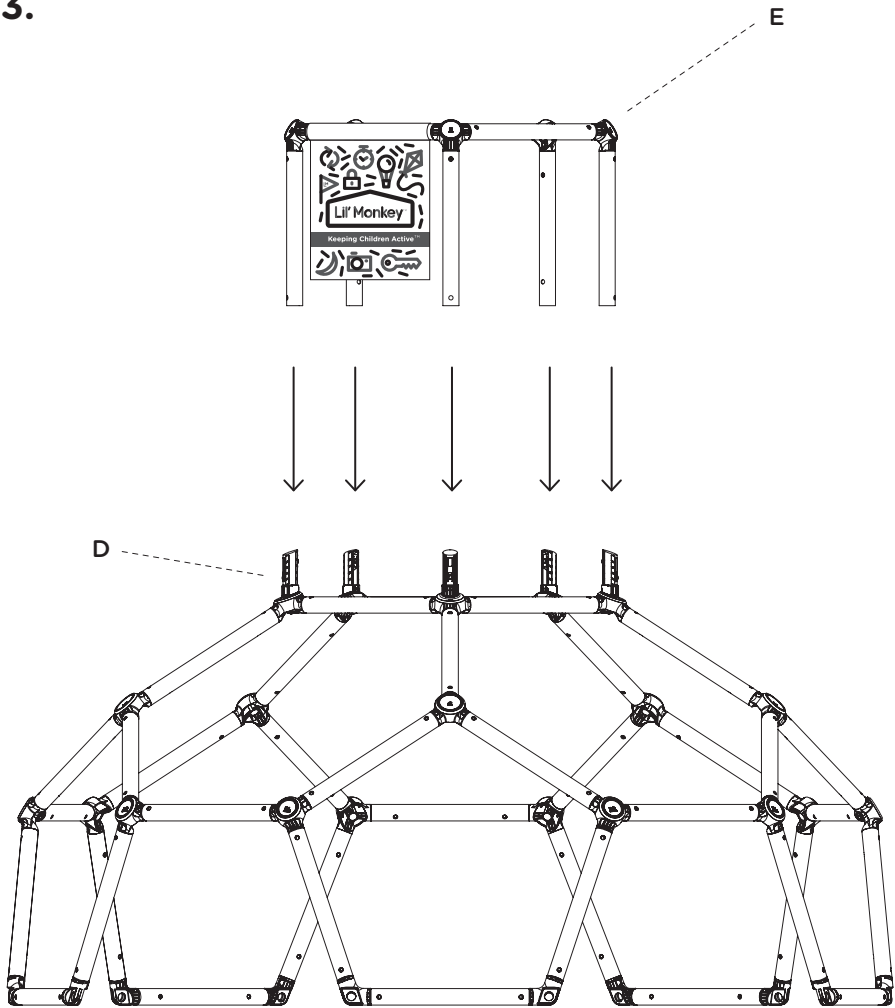


22.

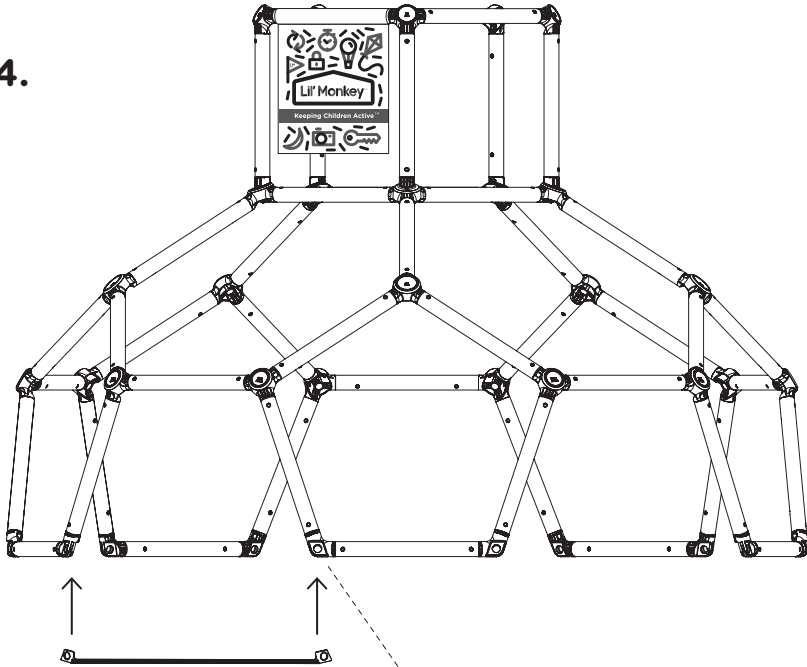




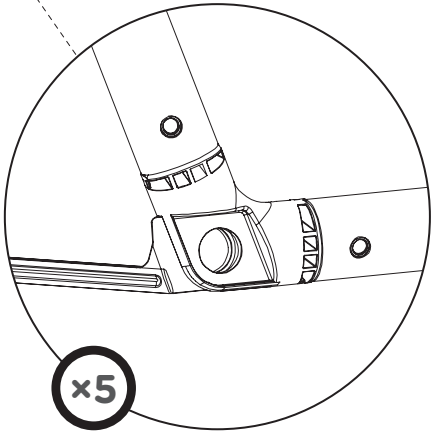
23.



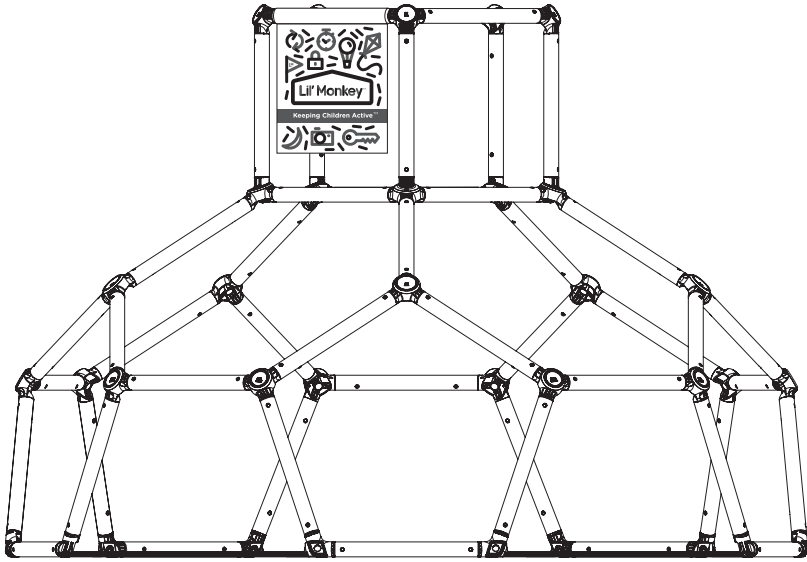
24.



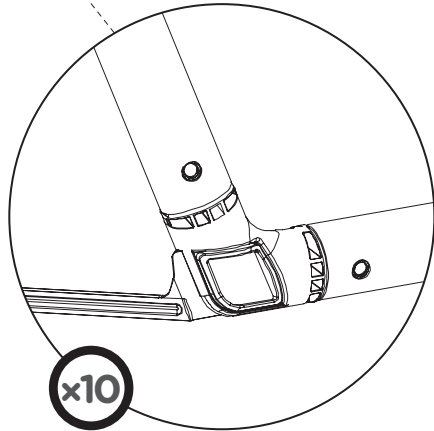
WIRE



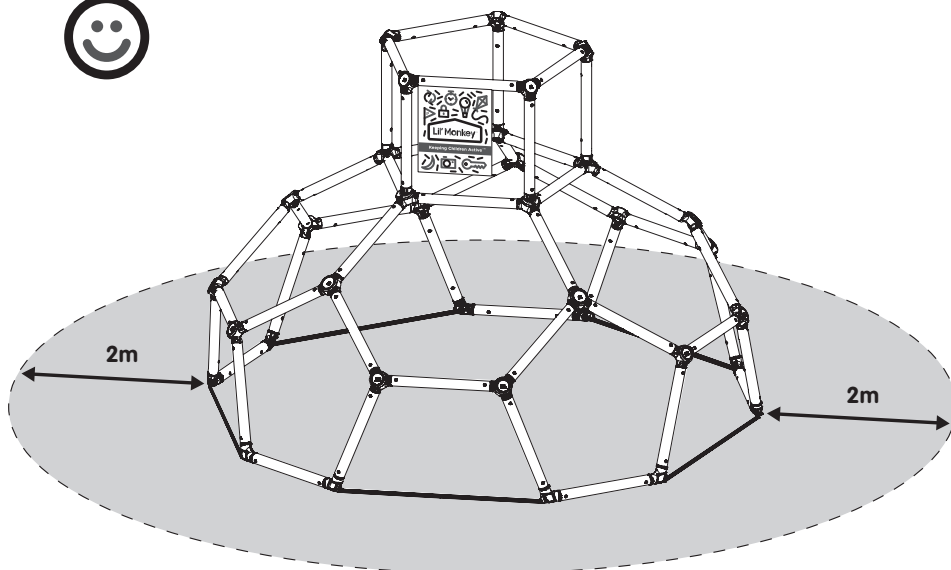
25.



PIN

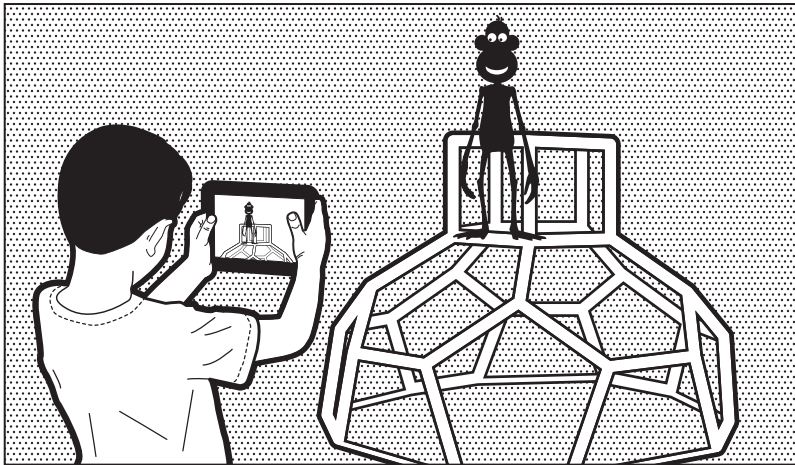
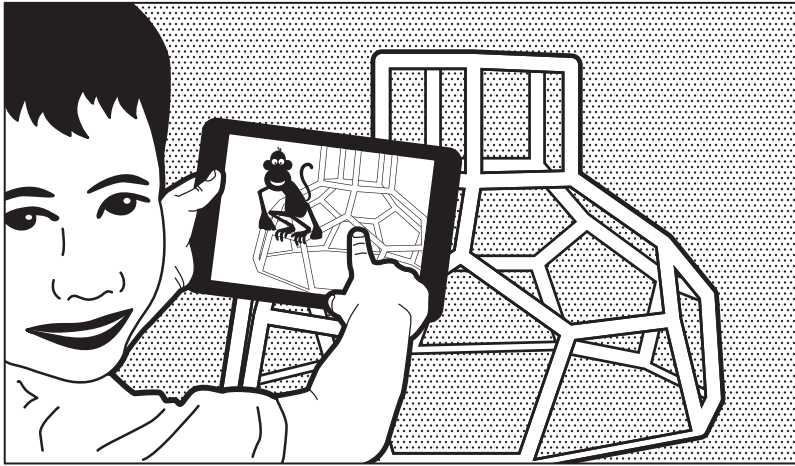


## Freespace/Safeplay



### Recommended Free Space:

The Safe Play Area refers to the zone extending 200cm (2 metres) beyond the toy on all sides and 700cm (7 metres) above the toy. The Safe Play Area must be free from all structures, landscaping, trees and branches, rocks, wires, sprinkler heads and other similar obstacles to safe play. Children can be seriously injured running or colliding into such obstacles.

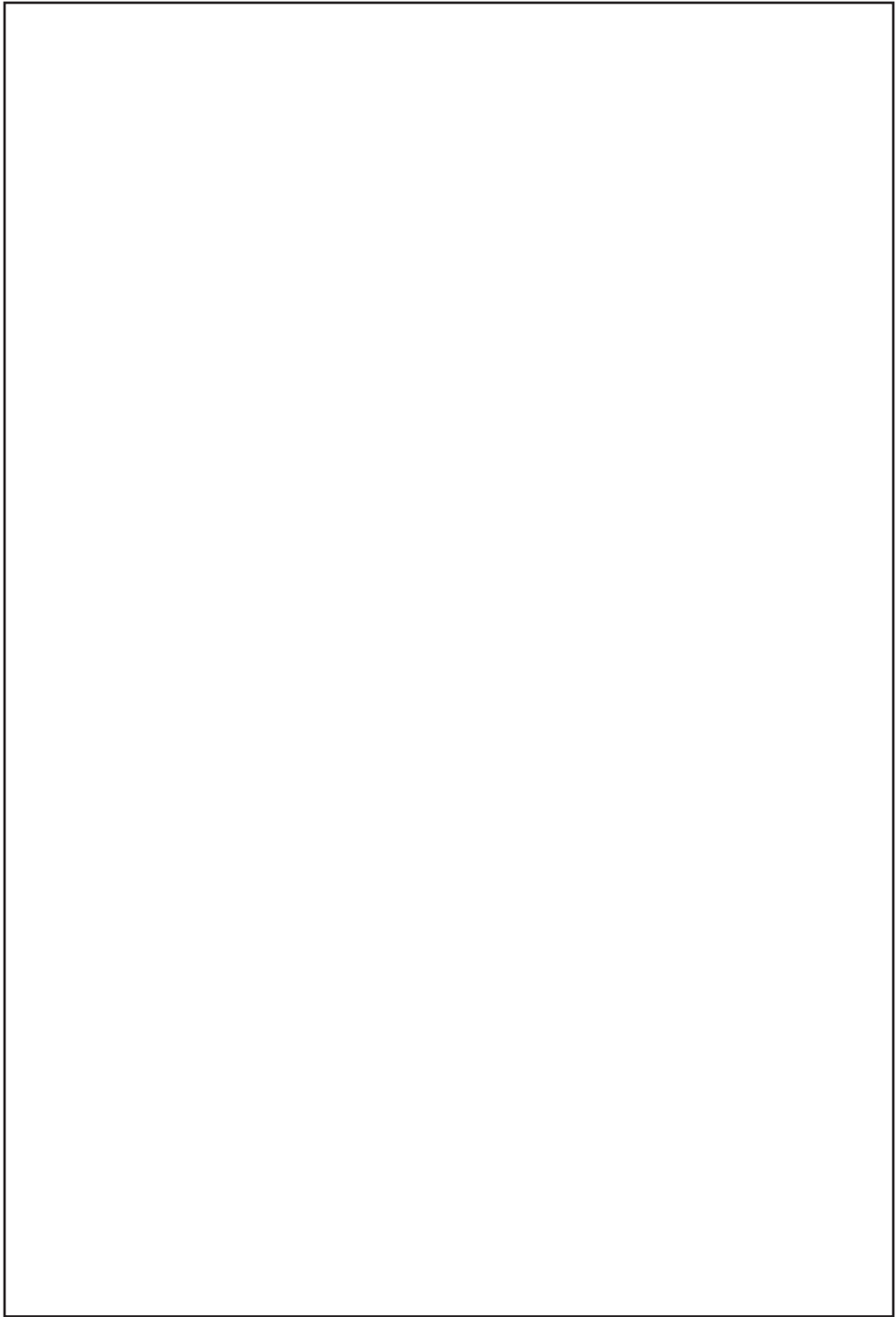


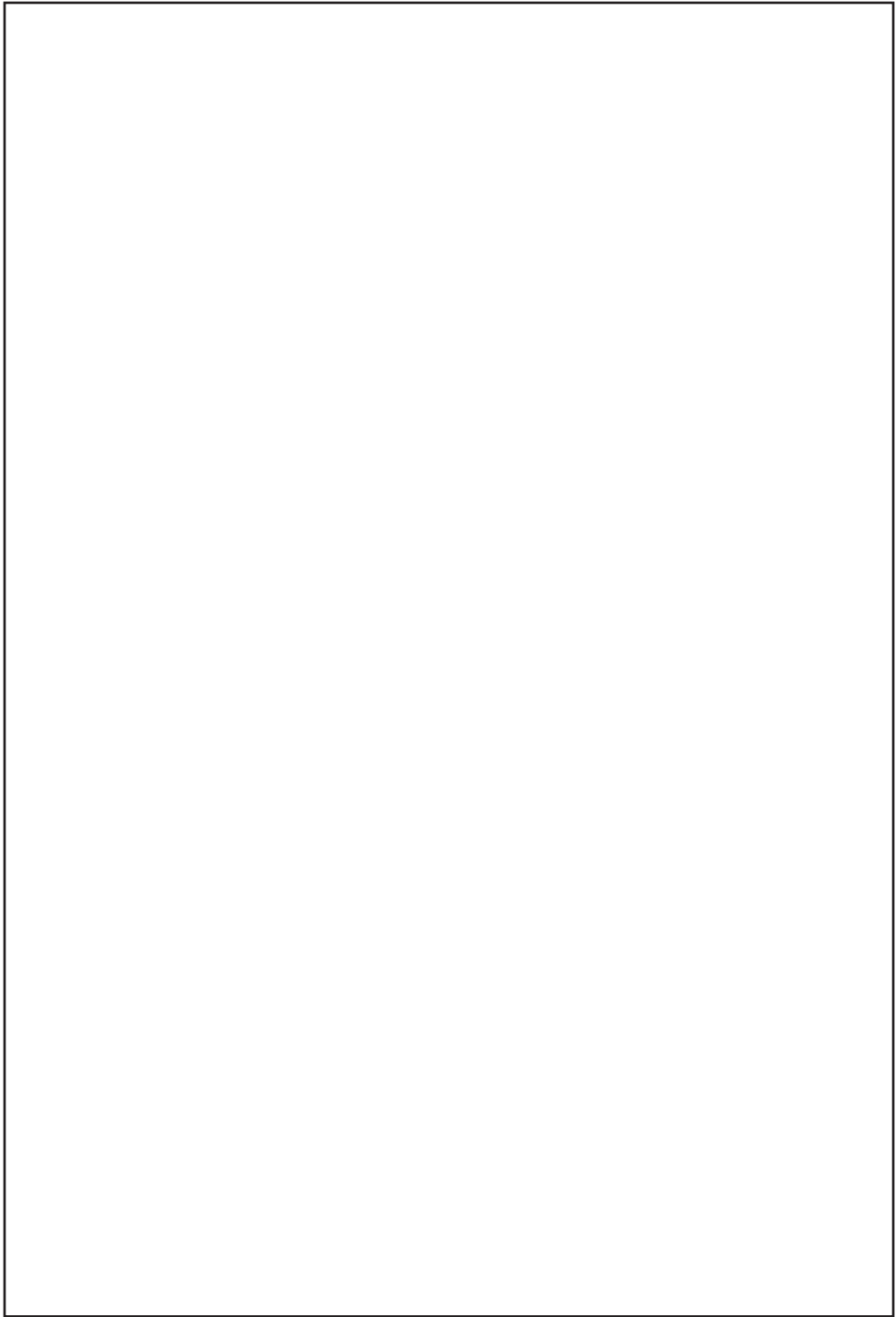
Lil' Monkey App will keep your child active!



[lil-monkey.com](http://lil-monkey.com)









## Register your new TP product on line now at [www.tptoys.com/product registration](http://www.tptoys.com/product registration)

Thank you for purchasing this TP product. To find out all about your product guarantee and register your purchase, please visit [www.tptoys.com/product registration](http://www.tptoys.com/product registration)

We want to give you the very best service. By registering your purchase now, we will be able to deal with any guarantee issues very quickly and efficiently in the future. Thank you.

**Your TP Guarantee Number/Product Batch No is**

Distributed by:

**Robovision Ltd t/a TP Toys**

Unit 11, Enterprise Way, Flitwick, Bedfordshire. MK45 5BX, England

Designed and manufactured by:

Lil' Monkey Ltd. - 6 Hamelacha St. Lod, Israel

Made in Israel

[www.tptoys.com](http://www.tptoys.com)

Instruction No. IN9190 Issue-A 04 15